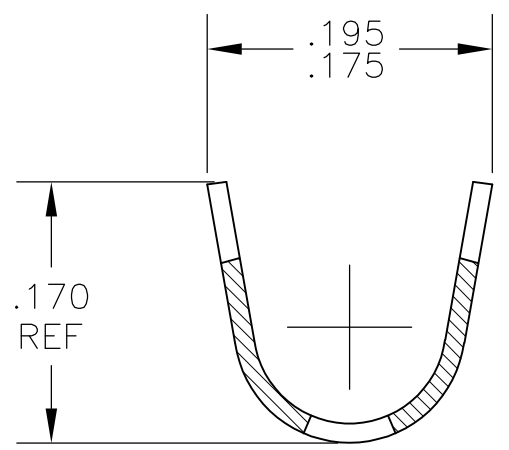
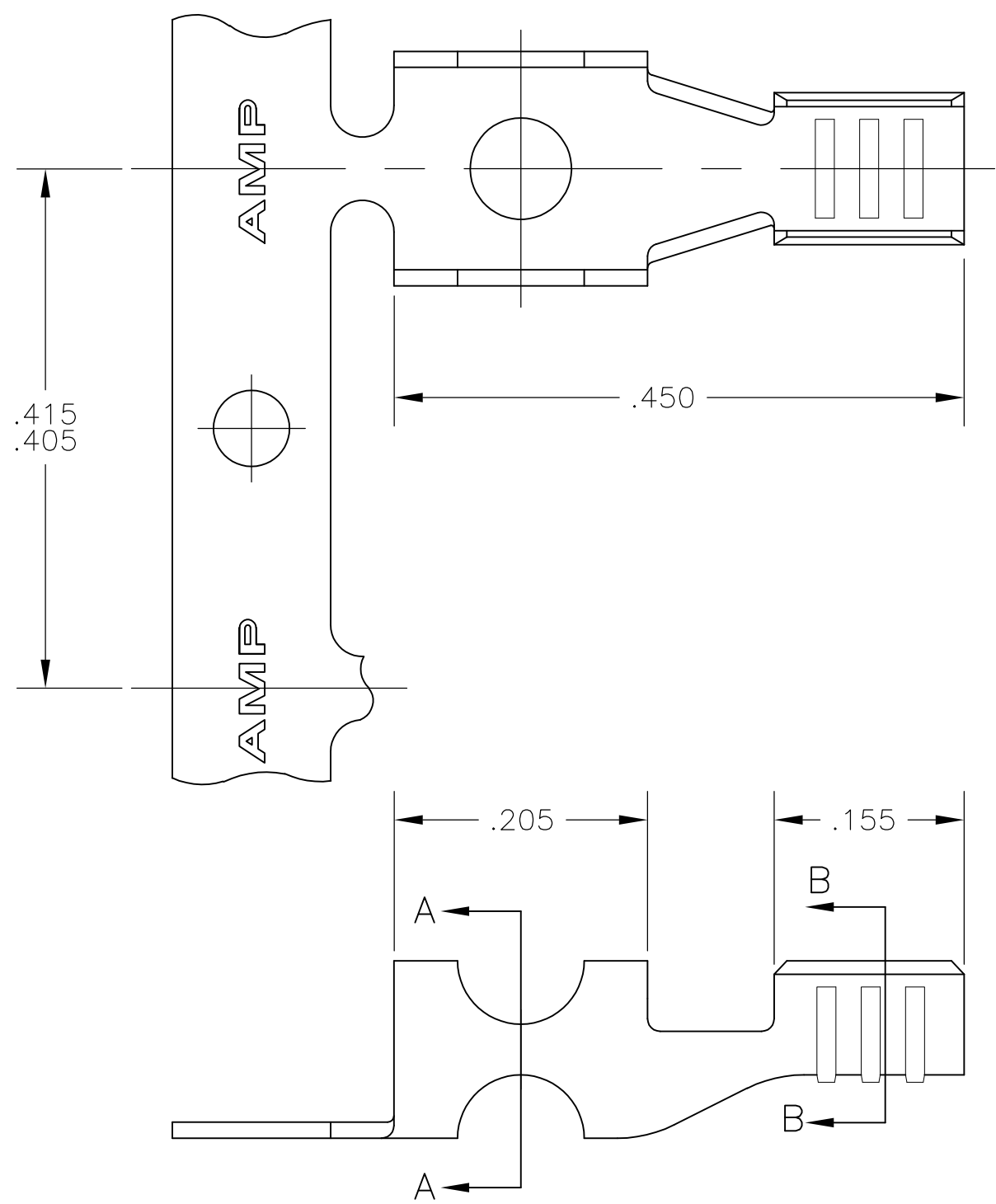
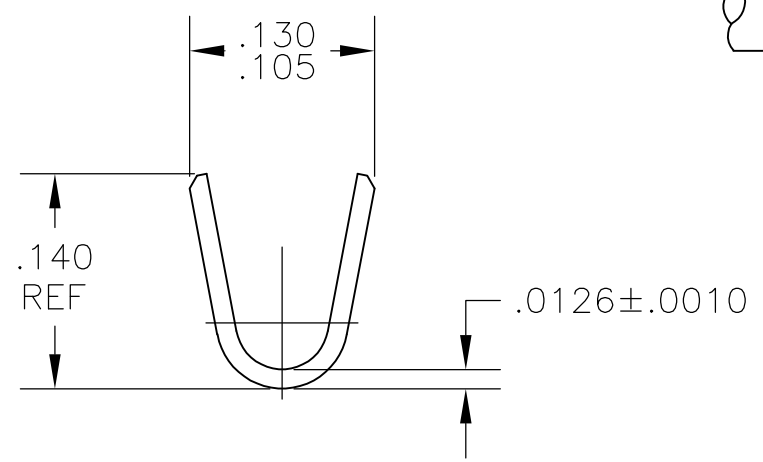


THIS DRAWING IS UNPUBLISHED. RELEASED FOR PUBLICATION
 © COPYRIGHT - BY TYCO ELECTRONICS CORPORATION. ALL RIGHTS RESERVED.

LOC	DIST	REVISIONS					
AF	50	P	LTR	DESCRIPTION	DATE	DWN	APVD
			E1	ECR-07-010352(REDRAWN IN AUTOCAD)	23FEB07	HMR	GP

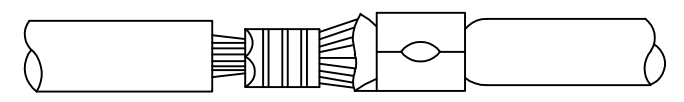


SECTION A-A

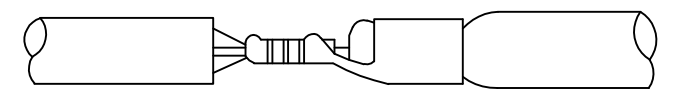


SECTION B-B

- 1 CONTINUOUS STRIP ON REELS.
- 2 WIRE RANGE: 1600 TO 4100 CMA
- 3 INSULATION RANGE: .105 - .145 DIA.



THROUGH CONNECTION



OBSOLETE	.000080 MIN TIN	60806-2
	NONE	60806-1
	FINISH	PART NO

THIS DRAWING IS A CONTROLLED DOCUMENT.		DWN	RAGHAVENDRA	23FEB07	tyco Electronics	Tyco Electronics Corporation Harrisburg, Pa 17105-3608			
DIMENSIONS: INCHES		CHK	G.D.PORTA	23FEB07		NAME	SPLICE		
TOLERANCES UNLESS OTHERWISE SPECIFIED:		APVD	G.D.PORTA	23FEB07	PRODUCT SPEC		SIZE	CAGE CODE	DRAWING NO
0 PLC ± -		PRODUCT SPEC			—	—	—	—	—
1 PLC ± -		APPLICATION SPEC			—	—	—	—	—
2 PLC ± -		—			—	—	—	—	—
3 PLC ± .010		WEIGHT			—	—	—	—	—
4 PLC ± -		CUSTOMER DRAWING			—	A3	00779	C-60806	—
ANGLES ± -		SCALE			—	8:1	SHEET	1 OF 1	REV
FINISH		—			—	—	—	—	E1
O81 BRASS		SEE TABLE			—	—	—	—	—